

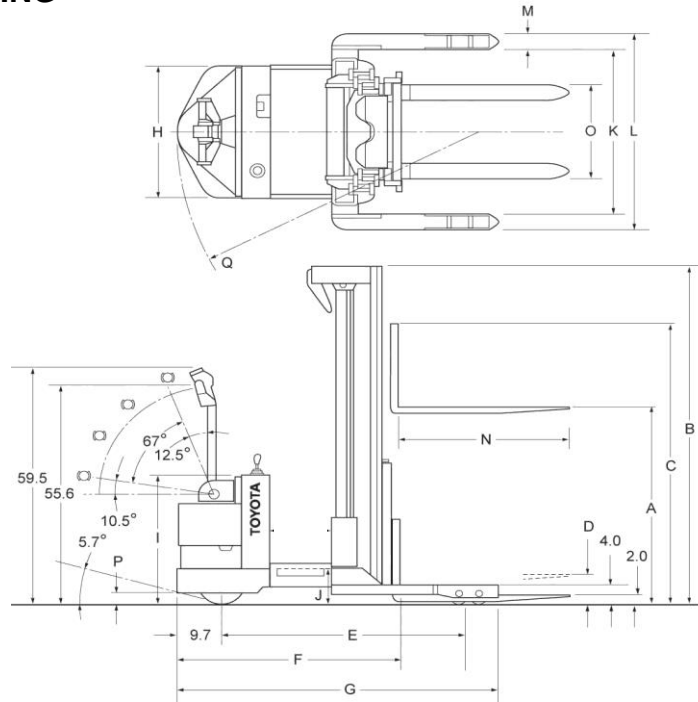
# 6BWS11.15.20

## MAIN VEHICLE SPECIFICATIONS

				TOYOTA		
1	Manufacturer					
2	Model / Voltage			6BWS11 / 24 V	6BWS15 / 24 V	6BWS20 / 24 V
3	Load Capacity			2200 (1000)	3000 (1360)	4000 (1815)
4	Load Center			24 (600)		
5	Power Type			Battery		
	Battery Compartment 1)	Length	in (mm)	32.3 (820)		
		Width	in (mm)	9 (229)	13.3 (338)	13.3 (338)
		Height	in (mm)	Open Height		
6	Operator Position			Walkie		
7	Tire Type 2)			Polyurethane		
8	Wheels (x = driven) 2)			1x/2/4		
9	Maximum Fork Height (MFH)			Two Stage Mast		
10	Free Lift			128 (3251)	128 (3251)	124 (3150)
	Fork Carriage Width (ITA Hook-Type)			12 (305)		
	Fork Size			30 (762)		
13	Fork Adjustment			1.5 x 4 x 42 (38 x 100 x 1067)	1.5 x 4 x 42 (38 x 100 x 1067)	1.75 x 4 x 42 (45 x 100 x 1067)
	Fork Size			T x W x L		
	Fork Adjustment			Min./Max.		
15	Head Length (Length to Fork Face)			8.5 (215) / 30 (760)		
	Truck Length (Length to end of base legs)			38.4 (975)	42.7 (1082)	44.7 (1135)
	Fork Lowered Height			67 (1702)	71.3 (1811)	71.3 (1811)
	Mast Lowered Height			2 (50)		
17	Mast Extended Height			83 (2108)		
18	Baseleg Inside Dimension (ID) - 1" increments			176 (4470)	176 (4470)	172 (4369)
	Baseleg Outside Dimension (OD) - 1" increments			32 to 50 (810 to 1270)		
	Power Unit Width			40 to 58 (1016 to 1473)		
	Power Unit Height			34.1 (866)		
21	Turning Radius			32.5 (826)		
23	Basic Right Angle Stacking Aisle Width 3)			60.8 (1545)	65.1 (1653)	65.1 (1653)
24	Travel, Max.			See Chart		
	Speeds	Full Load	mph (km/h)	2.9 (4.7)	2.9 (4.7)	2.6 (4.2)
			No Load	mph (km/h)	3.3 (5.3)	3.3 (5.3)
	Lifting	Full Load	fpm (mm/sec)	32 (163)	32 (163)	27 (137)
			No Load	fpm (mm/sec)	49 (249)	49 (249)
	Lowering	Full Load	fpm (mm/sec)	60 (305)	60 (305)	60 (305)
			No Load	fpm (mm/sec)	42 (213)	42 (213)
29	Gradeability 4)			Loaded/Unloaded %		
32	Total Weight Without Battery			6 / 10		
33	Weight Distribution (With Standard Battery)	Full Load	Front	2450 (1111)	2585 (1173)	2840 (1288)
			Rear	--	--	--
		No Load	Front	--	--	--
			Rear	--	--	--
35	Tires 2) Size (dia. x width)			10.5 x 5 (267 x 127)		
36	Caster			4 x 2.5 (102 x 64)		
37	Load			4 x 2.875 (100 x 73)		
38	Wheelbase			51.1 (1295)	55.4 (1407)	55.4 (1407)
	Suspension			N/A	Torsion Bar Suspension	Torsion Bar Suspension
41	Underclearance Center of Wheelbase			2.0 (51)		
	Grade Clearance			10		
42	Brake			Mechanical Drum Brake		
	Battery Type			Lead Acid		
45	Battery 1)	Voltage/ Capacity (6-hour ratings)	Maximum	V/AH	24 (330)	24 (650)
46		Weight	Min.	lb (kg)	300 (136)	950 (431)
47	Electric Motors			Drive (60 min.)		
48	Load Handling (5 min. 20%)			hp (kw)		
	Control Type			Drive		
	Load Handling			Transistor		
				Electromagnetic Contactor		

- 1) Please refer to the Battery Compartment Specification chart.
- 2) All models have caster wheels except 6BWS11.
- 3) Please refer to the Aisle Width Requirements for Right Angle Stacking charts.
- 4) Trucks are designed for level floor operation. Represents ability to transverse short ramps when required.

## DIMENSIONAL DRAWING



Model			6BWS11	6BWS15	6BWS20
Capacity		lb (kg)	2200 (1000)	3000 (1360)	4000 (1815)
A	Maximum Fork Height (MFH)	in (mm)	128 (3251)	128 (3251)	124 (3150)
B	Mast Lowered Height	in (mm)		83 (2108)	
C	Mast Extended Height	in (mm)	176 (4471)	176 (4471)	172 (4369)
D	Free Lift	in (mm)	12 (305)	12 (305)	6 (153)
E	Wheelbase	in (mm)	51.1 (1298)	55.4 (1407)	55.4 (1407)
F	Head Length (Length to Fork Face) V Mast	in (mm)	38.4 (976)	42.7 (1085)	44.7 (1136)
G	Truck Length (Length to end of base legs)	in (mm)	67 (1702)	71.3 (1811)	71.3 (1811)
H	Power Unit Width	in (mm)		34.1 (866)	
I	Power Unit Height	in (mm)		32.5 (826)	
J	Battery Roller Height	in (mm)		9.8 (249)	
K	Base Leg Inside Dimension (ID) - 1" increments	in (mm)		32 to 50 (813 to 1270)	
L	Base Leg Outside Dimension (OD) - 1" increments	in (mm)		40 to 58 (1016 to 1473)	
M	Base leg Width	in (mm)		4 (100)	
N	Fork Size	TxWxL in (mm)	1.5x4x42	1.5x4x42	1.75x4x42
O	Fork Adjustment	Min./Max. in (mm)		8.5/30 (216/762)	
P	Underclearance	in (mm)		2 (51)	
Q	Outside Turning Radius	in (mm)	60.8 (1545)	65.1 (1654)	65.1 (1654)
	Carriage Width	in (mm)		30 (762)	
	Basic Right Angle Stacking Aisle Width	in (mm)		See Chart	

1) Add 5.2" for 3-stage mast for 6BWS11.15, for 6BWS20 add 3.2".

## AISLE WIDTH REQUIREMENTS FOR RIGHT ANGLE STACKING

Model	6BWS11		6BWS15		6BWS20	
Load Width	Load Length		Load Length		Load Length	
	42 (1067)	48 (1219)	42 (1067)	48 (1219)	42 (1067)	48 (1219)
<b>in (mm)</b>	<b>in (mm)</b>	<b>in (mm)</b>	<b>in (mm)</b>	<b>in (mm)</b>	<b>in (mm)</b>	<b>in (mm)</b>
30 (762)	74 (1880)	83 (2108)	78 (1981)	87 (2210)	81 (2057)	89 (2261)
32 (813)	74 (1880)	82 (2083)	78 (1981)	86 (2184)	81 (2057)	89 (2261)
36 (914)	73 (1854)	82 (2083)	77 (1956)	86 (2184)	80 (2032)	88 (2235)
40 (1016)	72 (1829)	81 (2057)	76 (1930)	85 (2159)	79 (2007)	88 (2235)
42 (1067)	71 (1803)	81 (2057)	75 (1905)	85 (2159)	79 (2007)	87 (2210)
48 (1219)	69 (1753)	80 (2032)	73 (1854)	84 (2134)	77 (1956)	86 (2285)

Aisle width requirements are based on 6" clearance between each side of the load.

Add a minimum of 6" to 10" for maneuverability.

Add a minimum of 6" for 3-stage mast for 6BWS11, 6" to 9" for 6BWS15 and 4.5" for 6BWS20.

## MAST SPECIFICATIONS & RATED CAPACITIES

Wide Visible Mast (V), Wide Visible Full-Free Lift Three-Stage Mast (FSV)

### 6BWS11

Mast Type	Maximum Fork Height (top of forks)	Overall Height		Free Lift
		Lowered	Extended	
			in (mm)	in (mm)
V	104 (2650)	71 (1805)	152 (3860)	12 (305)
	128 (3251)	83 (2108)	176 (4470)	12 (305)
	152 (3860)	95 (2413)	200 (5080)	12 (305)
FSV	150 (3810)	71 (1805)	198 (5029)	23 (584)

in (mm)	Load Capacity at 24 in (600 mm) LC [lb (kg)]				
	V Mast <sup>[1][2]</sup>			FSV Mast <sup>[2]</sup>	
OAL/HMFH	71/104 (1805/2650)	83/128 (2108/3251)	95/152 (2413/3860)	71/150 (1805/3810)	
Base Leg (OD)				Without Sideshifter	With Sideshifter
40 (1016)	2200 (998)	--	--	--	--
42 (1066)	2200 (998)	--	--	--	--
44 (1117)	2200 (998)	2200 (998)	2200 (998)	2200 (998)	--
46 (1168)	2200 (998)	2200 (998)	2200 (998)	2200 (998)	--
48 (1219)	2200 (998)	2200 (998)	2200 (998)	2200 (998)	--
50 (1270)	2200 (998)	2200 (998)	2200 (998)	2200 (998)	--
52 (1320)	2200 (998)	2200 (998)	2200 (998)	2200 (998)	--
54 (1371)	2200 (998)	2200 (998)	2200 (998)	2200 (998)	--
56 (1422)	2200 (998)	2200 (998)	2200 (998)	2200 (998)	--
58 (1473)	2200 (998)	2200 (998)	2200 (998)	2200 (998)	--

[1] Sideshifter not available.

[2] Same capacities apply when equipped with UL 'EE' option.

### 6BWS15

Mast Type	Maximum Fork Height (top of forks)	Overall Height		Free Lift
		Lowered	Extended	
			in (mm)	in (mm)
V	104 (2650)	71 (1805)	152 (3860)	12 (305)
	128 (3251)	83 (2108)	176 (4470)	12 (305)
	152 (3860)	95 (2413)	200 (5080)	12 (305)
FSV	150 (3810)	71 (1805)	198 (5029)	23 (584)
	180 (4572)	83 (2108)	228 (5791)	35 (889)
	189 (4800)	87 (2209)	237 (6020)	39 (991)

in (mm)	Load Capacity at 24 in (600 mm) LC [lb (kg)]										
	V Mast <sup>[1][2]</sup>			FSV Mast							
OAL/HMFH	71/104 (1805/2650)	83/128 (2108/3251)	95/152 (2413/3860)	71/150 (1805/3810) <sup>[2]</sup>		83/180 (2108/4572)			87/189 (2209/4800)		
Base Leg (OD)				Without Sideshifter	With Sideshifter	Without Sideshifter	With Sideshifter	U.L. EE <sup>[3]</sup>	Without Sideshifter	With Sideshifter	U.L. EE <sup>[3]</sup>
40 (1016)	3000 (1360)	3000 (1360)	3000 (1360)	3000 (1360)	2500 (1134)	--	--	--	--	--	--
42 (1066)	3000 (1360)	3000 (1360)	3000 (1360)	3000 (1360)	2750 (1247)	--	--	--	--	--	--
44 (1117)	3000 (1360)	3000 (1360)	3000 (1360)	3000 (1360)	2750 (1247)	--	--	--	--	--	--
46 (1168)	3000 (1360)	3000 (1360)	3000 (1360)	3000 (1360)	2750 (1247)	3000 (1360)	2750 (1247)	2500 (1134)	3000 (1360)	2750 (1247)	2380 (1079)
48 (1219)	3000 (1360)	3000 (1360)	3000 (1360)	3000 (1360)	2750 (1247)	3000 (1360)	2750 (1247)	2500 (1134)	3000 (1360)	2750 (1247)	2380 (1079)
50 (1270)	3000 (1360)	3000 (1360)	3000 (1360)	3000 (1360)	2750 (1247)	3000 (1360)	2750 (1247)	2500 (1134)	3000 (1360)	2750 (1247)	2380 (1079)
52 (1320)	3000 (1360)	3000 (1360)	3000 (1360)	3000 (1360)	2750 (1247)	3000 (1360)	2750 (1247)	2500 (1134)	3000 (1360)	2750 (1247)	2380 (1079)
54 (1371)	3000 (1360)	3000 (1360)	3000 (1360)	3000 (1360)	2750 (1247)	3000 (1360)	2750 (1247)	2500 (1134)	3000 (1360)	2750 (1247)	2380 (1079)
56 (1422)	3000 (1360)	3000 (1360)	3000 (1360)	3000 (1360)	2750 (1247)	3000 (1360)	2750 (1247)	2500 (1134)	3000 (1360)	2750 (1247)	2380 (1079)
58 (1473)	3000 (1360)	3000 (1360)	3000 (1360)	3000 (1360)	2750 (1247)	3000 (1360)	2750 (1247)	2500 (1134)	3000 (1360)	2750 (1247)	2380 (1079)

[1] Sideshifter not available.

[2] Same capacities apply when equipped with UL 'EE' option.

[3] Same capacities apply when equipped with the sideshifter option.

# MAST SPECIFICATIONS & RATED CAPACITIES

Wide Visible Mast (V), Wide Visible Full-Free Lift Three-Stage Mast (FSV)

## 6BWS20

Mast Type	Maximum Fork Height (top of forks)	Overall Height		Free Lift
		Lowered	Extended	
			in (mm)	in (mm)
V	100 (2540)	71 (1805)	148 (3759)	6 (153)
	124 (3149)	83 (2108)	172 (4369)	6 (153)
	128 (3251)	85 (2159)	176 (4470)	6 (153)
	150 (3810)	95 (2413)	198 (5029)	6 (153)
FSV	150 (3810)	71 (1805)	198 (5029)	23 (584)
	180 (4572)	83 (2108)	228 (5791)	35 (889)
	189 (4800)	87 (2209)	237 (6020)	39 (991)

in (mm)		Load Capacity at 24 in (600 mm) LC [lb (kg)]							
		V Mast <sup>[1]</sup>							
QALH/MFH		71/100 (1805/2540)		83/124 (2108/3149)		85/128 (2159/3251)		95/150 (2413/3810)	
Base Leg (OD)		Without Sideshifter	With Sideshifter	Without Sideshifter	With Sideshifter	Without Sideshifter	With Sideshifter	Without Sideshifter	With Sideshifter
	40 (1016)		4000 (1814)	3750 (1701)	4000 (1814)	3350 (1519)	4000 (1814)	3350 (1519)	4000 (1814)
42 (1066)		4000 (1814)	3750 (1701)	4000 (1814)	3750 (1701)	4000 (1814)	3750 (1701)	4000 (1814)	2950 (1338)
44 (1117)		4000 (1814)	3750 (1701)	4000 (1814)	3750 (1701)	4000 (1814)	3750 (1701)	4000 (1814)	3400 (1542)
46 (1168)		4000 (1814)	3750 (1701)	4000 (1814)	3750 (1701)	4000 (1814)	3750 (1701)	4000 (1814)	3650 (1655)
48 (1219)		4000 (1814)	3750 (1701)	4000 (1814)	3750 (1701)	4000 (1814)	3750 (1701)	4000 (1814)	3750 (1701)
50 (1270)		4000 (1814)	3750 (1701)	4000 (1814)	3750 (1701)	4000 (1814)	3750 (1701)	4000 (1814)	3750 (1701)
52 (1320)		4000 (1814)	3750 (1701)	4000 (1814)	3750 (1701)	4000 (1814)	3750 (1701)	4000 (1814)	3750 (1701)
54 (1371)		4000 (1814)	3750 (1701)	4000 (1814)	3750 (1701)	4000 (1814)	3750 (1701)	4000 (1814)	3750 (1701)
56 (1422)		4000 (1814)	3750 (1701)	4000 (1814)	3750 (1701)	4000 (1814)	3750 (1701)	4000 (1814)	3750 (1701)
58 (1473)		4000 (1814)	3750 (1701)	4000 (1814)	3750 (1701)	4000 (1814)	3750 (1701)	4000 (1814)	3750 (1701)

[1] Same capacities apply when equipped with UL 'EE' option.  
 [2] Same capacities apply when equipped with the sideshifter option.

in (mm)		Load Capacity at 24 in (600 mm) LC [lb (kg)]							
		FSV Mast							
QALH/MFH		71/150 (1805/3810) <sup>[1]</sup>		83/180 (2108/4572)			87/189 (2209/4800)		
Base Leg (OD)		Without Sideshifter	With Sideshifter	Without Sideshifter	With Sideshifter	U.L. EE <sup>[2]</sup>	Without Sideshifter	With Sideshifter	U.L. EE <sup>[2]</sup>
	40 (1016)		4000 (1814)	2500 (1134)	--	--	--	--	--
42 (1066)		4000 (1814)	3150 (1429)	--	--	--	--	--	--
44 (1117)		4000 (1814)	3650 (1655)	--	--	--	--	--	--
46 (1168)		4000 (1814)	3750 (1701)	3200 (1451)	3000 (1360)	--	3000 (1360)	2900 (1315)	--
48 (1219)		4000 (1814)	3750 (1701)	3400 (1542)	3150 (1428)	3150 (1428)	3300(1496)	3100 (1406)	3100 (1406)
50 (1270)		4000 (1814)	3750 (1701)	3600 (1633)	3350 (1519)	3325 (1508)	3500 (1587)	3250 (1474)	3175 (1440)
52 (1320)		4000 (1814)	3750 (1701)	3800 (1723)	3550 (1610)	3325 (1508)	3700 (1678)	3450 (1565)	3175 (1440)
54 (1371)		4000 (1814)	3750 (1701)	4000 (1814)	3750 (1701)	3325 (1508)	3900 (1769)	3650 (1655)	3175 (1440)
56 (1422)		4000 (1814)	3750 (1701)	4000 (1814)	3750 (1701)	3325 (1508)	4000 (1814)	3750 (1701)	3175 (1440)
58 (1473)		4000 (1814)	3750 (1701)	4000 (1814)	3750 (1701)	3325 (1508)	4000 (1814)	3750 (1701)	3175 (1440)

[1] Same capacities apply when equipped with UL 'EE' option.  
 [2] Same capacities apply when equipped with the sideshifter option.

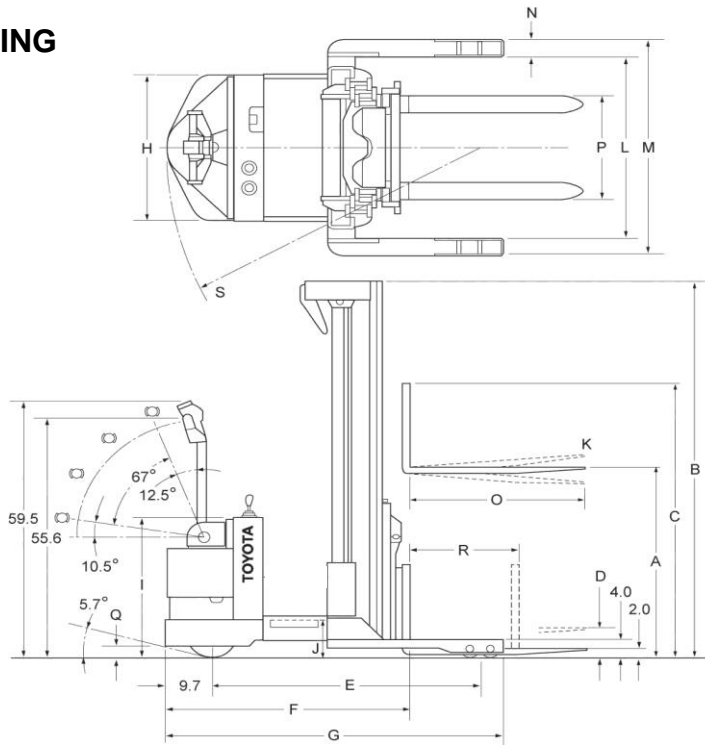
# 6BWR15

## MAIN VEHICLE SPECIFICATIONS

1	Manufacturer			TOYOTA
2	Model / Voltage			6BWR15 / 24 V
3	Load Capacity			3000 (1360)
4	Load Center			24 (600)
5	Power Type			Battery
	Battery Compartment 1)	Length	in (mm)	32.3 (820)
		Width	in (mm)	13.3 (338)
		Height	in (mm)	Open Height
6	Operator Position			Walkie
7	Tire Type			Polyurethane
8	Wheels (x = driven)			1x/2/4
9	Maximum Fork Height (MFH)			Two Stage Mast
10	Free Lift			in (mm)
	Reach Stroke			in (mm)
	Fork Carriage Width (ITA Hook-Type)			in (mm)
13	Fork Size			T x W x L
	Fork Adjustment			Min./Max.
14	Tilt Range (Carriage Tilt)			Fwd/Bwd
15	Head Length (Length to Fork Face)			in (mm)
	Truck Length (Length to end of base legs)			in (mm)
	Fork Lowered Height			in (mm)
17	Mast Lowered Height			in (mm)
18	Mast Extended Height			in (mm)
	Base Leg Inside Dimension (ID) - 1" increments			in (mm)
	Base Leg Outside Dimension (OD) -1" increments			in (mm)
	Power Unit Width			in (mm)
	Power Unit Height			in (mm)
21	Turning Radius			in (mm)
23	Basic Right Angle Stacking Aisle Width 2)			
24	Travel, Max.	Full Load	mph (km/h)	2.8 (4.5)
		No Load	mph (km/h)	3.2 (5.1)
25	Speeds	Lifting	Full Load	fpm (mm/sec)
		No Load	fpm (mm/sec)	46 (233)
26	Lowering	Full Load	fpm (mm/sec)	60 (305)
		No Load	fpm (mm/sec)	47 (239)
29	Gradeability 3)			Loaded/Unloaded
32	Total Weight			Without Battery
33	Weight Distribution (With Standard Battery & Pantograph Retracted)	Full Load	Front	lb (kg)
			Rear (Drive)	lb (kg)
		No Load	Front	lb (kg)
			Rear (Drive)	lb (kg)
35	Tires	Size (dia. X width)	Drive	in (mm)
36			Caster	in (mm)
37			Load	in (mm)
38	Wheelbase			in (mm)
	Suspension			Automatic Load Sensing Torsion Bar Suspension
41	Underclearance Center of Wheelbase			in (mm)
	Grade Clearance			%
42	Brake			Mechanical Drum Brake
	Battery Type			Lead Acid
45	Battery 1)	Voltage/ Capacity (6-hour ratings)	Maximum	V/AH
46		Weight	Min.	lb (kg)
47	Electric Motors	Drive	(60 min.)	hp (kw)
48		Load Handling	(5 min. 20%)	hp (kw)
54	Control Type	Drive		Transistor
		Load Handling		Electromagnetic Contactor

- 1) Please refer to the Battery Compartment Specification chart.
- 2) Please refer to the Aisle Width Requirements for Right Angle Stacking charts.
- 3) Trucks are designed for level floor operation. Represents ability to transverse short ramps when required.

# DIMENSIONAL DRAWING



Model		6BWR15	
Capacity		lb (kg)	3000 (1360)
A	Maximum Fork Height (MFH)	in (mm)	124 (3150)
B	Mast Lowered Height	in (mm)	83 (2108)
C	Mast Extended Height	in (mm)	172 (3469)
D	Free Lift	in (mm)	6 (153)
E	Wheelbase	in (mm)	55.4 (1407)
F	Head Length (Length to Fork Face) V Mast	1) in (mm)	47.4 (1204)
G	Truck Length (Length to end of base legs)	in (mm)	69.7 (1770)
H	Power Unit Width	in (mm)	34.1 (866)
I	Power Unit Height	in (mm)	32.5 (826)
J	Battery Roller Height	in (mm)	9.8 (249)
K	Tilt Range (Carriage Tilt)	Fwd/Bwd deg	3/4
L	Base Leg Inside Dimension (ID) - 1" increments	in (mm)	32 to 50 (813 to 1270)
M	Base Leg Outside Dimension (OD) - 1" increments	in (mm)	48 to 58 (1016 to 1473)
N	Base leg Width	in (mm)	4 (102)
O	Fork Size	TxWxL in (mm)	1.75x4x42
P	Fork Adjustment	Min./Max. in (mm)	12/30 (305/762)
Q	Underclearance	in (mm)	2 (51)
R	Reach Stroke	V Mast in (mm)	24 (610)
S	Outside Turning Radius	in (mm)	65.1 (1654)
	Carriage Width	in (mm)	30 (762)
	Basic Right Angle Stacking Aisle Width	in (mm)	See Chart

1) For 3-stage mast add 3.2".

## AISLE WIDTH REQUIREMENTS FOR RIGHT ANGLE STACKING

Model	6BWR15		
Load Width	Load Length		
	42 (1067)	48 (1219)	
in (mm)	in (mm)	in (mm)	
30 (762)	85 (2159)	92 (2337)	
32 (813)	84 (2134)	92 (2337)	
36 (914)	84 (2134)	91 (2312)	
40 (1016)	83 (2108)	91 (2312)	
42 (1067)	83 (2108)	90 (2286)	
48 (1219)	82 (2108)	90 (2286)	

Aisle width requirements are based on 6" clearance between each side of the load.  
 Add a minimum of 6" to 10" for maneuverability.  
 Add a minimum of 4.5" for 3-stage mast.

## MAST SPECIFICATIONS & RATED CAPACITIES

Wide Visible Mast (V), Wide Visible Full-Free Lift Three-Stage Mast (FSV)

### 6BWR15

Mast Type	Maximum Fork Height (top of forks)	Overall Height		Free Lift	Tilt Range (Carriage Tilt)	
		Lowered	Extended		With Standard 48 in. Load Backrest	FWD
			With Standard 48 in. Load Backrest	deg		
in (mm)		in (mm)	in (mm)	in (mm)	deg	deg
V	100 (2540)	71 (1805)	148 (3759)	6 (153)	3	4
	124 (3149)	83 (2108)	172 (4369)	6 (153)	3	4
	150 (3810)	95 (2413)	198 (5029)	6 (153)	3	4
FSV	150 (3810)	71 (1805)	198 (5029)	23 (584)	3	4
	180 (4572)	83 (2108)	228 (5791)	35 (889)	3	4
	189 (4800)	87 (2209)	237 (6020)	39 (991)	3	4

in (mm)		Load Capacity at 24 in (600 mm) LC [lb (kg)]													
		V Mast <sup>[1]</sup>						FSV Mast							
OALHMPFH	Base Leg (OD)	71/100 (1805/2540)		83/124 (2108/3149)		95/150 (2413/3810)		71/150 (1805/3810) <sup>[1]</sup>		83/180 (2108/4572)			87/189 (2209/4800)		
		Without Sideshifter	With Sideshifter	Without Sideshifter	With Sideshifter	Without Sideshifter	With Sideshifter	Without Sideshifter	With Sideshifter	Without Sideshifter	With Sideshifter	U.L. EE <sup>[2]</sup>	Without Sideshifter	With Sideshifter	U.L. EE <sup>[2]</sup>
40 (1016)		3000 (1360)	2750 (1247)	3000 (1360)	2750 (1247)	3000 (1360)	2750 (1247)	2950 (1338)	2625 (1190)	2450 (1111)	1200 (544)	--	1900 (861)	1000 (453)	--
42 (1066)		3000 (1360)	2750 (1247)	3000 (1360)	2750 (1247)	3000 (1360)	2750 (1247)	3000 (1360)	2625 (1190)	2700 (1224)	1850 (839)	--	2300 (1043)	1600 (725)	--
44 (1117)		3000 (1360)	2750 (1247)	3000 (1360)	2750 (1247)	3000 (1360)	2750 (1247)	3000 (1360)	2625 (1190)	2700 (1224)	2400 (1088)	2400 (1088)	2400 (1088)	2255 (1022)	2255 (1022)
46 (1168)		3000 (1360)	2750 (1247)	3000 (1360)	2750 (1247)	3000 (1360)	2750 (1247)	3000 (1360)	2625 (1190)	2700 (1224)	2400 (1088)	2400 (1088)	2500 (1134)	2350 (1066)	2350 (1066)
48 (1219)		3000 (1360)	2750 (1247)	3000 (1360)	2750 (1247)	3000 (1360)	2750 (1247)	3000 (1360)	2625 (1190)	2700 (1224)	2400 (1088)	2400 (1088)	2600 (1179)	2350 (1066)	2350 (1066)
50 (1270)		3000 (1360)	2750 (1247)	3000 (1360)	2750 (1247)	3000 (1360)	2750 (1247)	3000 (1360)	2625 (1190)	2700 (1224)	2400 (1088)	2400 (1088)	2650 (1202)	2350 (1066)	2350 (1066)
52 (1320)		3000 (1360)	2750 (1247)	3000 (1360)	2750 (1247)	3000 (1360)	2750 (1247)	3000 (1360)	2625 (1190)	2700 (1224)	2400 (1088)	2400 (1088)	2650 (1202)	2350 (1066)	2350 (1066)
54 (1371)		3000 (1360)	2750 (1247)	3000 (1360)	2750 (1247)	3000 (1360)	2750 (1247)	3000 (1360)	2625 (1190)	2700 (1224)	2400 (1088)	2400 (1088)	2650 (1202)	2350 (1066)	2350 (1066)
56 (1422)		3000 (1360)	2750 (1247)	3000 (1360)	2750 (1247)	3000 (1360)	2750 (1247)	3000 (1360)	2625 (1190)	2700 (1224)	2400 (1088)	2400 (1088)	2650 (1202)	2350 (1066)	2350 (1066)
58 (1473)		3000 (1360)	2750 (1247)	3000 (1360)	2750 (1247)	3000 (1360)	2750 (1247)	3000 (1360)	2625 (1190)	2700 (1224)	2400 (1088)	2400 (1088)	2650 (1202)	2350 (1066)	2350 (1066)

[1] Same capacities apply when equipped with UL 'EE' option.

[2] Same capacities apply when equipped with the sideshifter option.

# 6BWC10.15.20

## MAIN VEHICLE SPECIFICATIONS

1 Manufacturer				TOYOTA			
2	Model / Voltage			6BWC10 / 24 V	6BWC15 / 24 V	6BWC20 / 24 V	
3	Load Capacity		lb (kg)	2000 (905)	3000 (1360)	4000 (1815)	
4	Load Center		in (mm)		24 (600)		
5	Power Type			Battery			
	Battery Compartment 1)	Length	in (mm)	32.3 (820)			
		Width	in (mm)	13.3 (338)			
		Height	in (mm)	Open Height			
6	Operator Position			Walkie			
7	Tire Type		Drive/Caster/Load	Rubber/Polyurethane/Polyurethane			
8	Wheels (x = driven)		Drive/Caster/Load	1x/2/2			
9	Maximum Fork Height (MFH)		Two Stage Mast	in (mm)	128 (3251)	128 (3251)	
10	Free Lift			in (mm)	12 (305)	6 (152)	
	Fork Carriage Width (ITA Hook-Type)			in (mm)	30 (762)		
13	Fork Size		T x W x L	in (mm)	1.5 x 4 x 42 (38 x 100 x 1067)	1.5 x 4 x 42 (38 x 100 x 1067)	
	Fork Adjustment		Min./Max.	in (mm)	8.5 (215) / 30 (760)		
14	Tilt Range (Mast Tilt)		Fwd/Bwd	deg	3/8		
15	Head Length (Length to Fork Face)			in (mm)	64.8 (1646)	70.1 (1781)	
	Fork Lowered Height			in (mm)	2 (50)		
17	Mast Lowered Height			in (mm)	83 (2108)		
18	Mast Extended Height			in (mm)	176 (4470)	172 (4369)	
	Power Unit Width			in (mm)	34.1 (866)		
	Power Unit Height			in (mm)	32.5 (826)		
21	Turning Radius			in (mm)	56.7 (1440)	62 (1575)	
22	Load Distance (Centerline of front axle to front face of forks)			in (mm)	8.1 (205)	8.3 (210)	
23	Basic Right Angle Stacking Aisle Width 2)				See Chart		
24	Travel, Max.	Full Load	mph (km/h)		2.9 (4.7)	3.0 (4.8)	
		No Load	mph (km/h)		3.2 (5.1)	3.4 (5.5)	
25	Speeds	Full Load	fpm (mm/sec)		37 (188)	32 (163)	
		No Load	fpm (mm/sec)		49 (249)	27 (137)	
26	Lowering	Full Load	fpm (mm/sec)		60 (305)		
		No Load	fpm (mm/sec)		44 (224)	42 (213)	
29	Gradeability 3)		Loaded/Unloaded	%	6 / 10		
32	Total Weight		Without Battery	lb (kg)	3600 (1633)	4800 (2177)	
33	Weight Distribution (With Standard Battery)		Full Load	Front	lb (kg)	--	
				Rear	lb (kg)	--	
			No Load	Front	lb (kg)	--	
				Rear	lb (kg)	--	
35	Tires		Drive	in (mm)	10.5 x 5 (267 x 127)		
36			Size (dia. X width)	Caster	in (mm)	4 x 2.5 (102 x 64)	
37				Load	in (mm)	10 x 4 (254 x 102)	
38	Wheelbase			in (mm)	47.0 (1194)	52.3 (1328)	
	Suspension				Automatic Load Sensing Torsion Bar Suspension		
41	Underclearance Center of Wheelbase			in (mm)	3.6 (91.5)		
	Grade Clearance			%	10		
42	Brake				Mechanical Drum Brake		
	Battery Type				Lead Acid		
45	Battery 1)	Voltage/ Capacity (6-hour ratings)	Maximum	V/AH	24 (650)		
46		Weight	Min.	lb (kg)	950 (431)		
47	Electric Motors		Drive	(60 min.)	hp (kw)	1.2 (.9)	
48			Load Handling	(5 min. 20%)	hp (kw)	3.7 (2.8)	3.7 (2.8)
54	Control Type		Drive			4.8 (3.6)	
			Load Handling				Transistor Electromagnetic Contactor

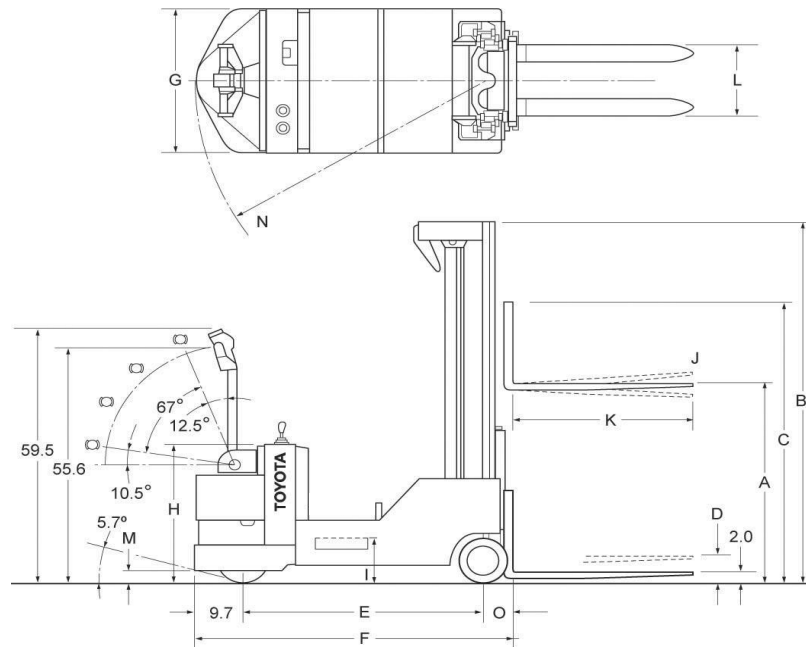
1) Please refer to the Battery Compartment Specification chart.

2) Please refer to the Aisle Width Requirements for Right Angle Stacking charts.

3) Trucks are designed for level floor operation. Represents ability to transverse short ramps when required.



## DIMENSIONAL DRAWING



Model			6BWC10	6BWC15	6BWC20
Capacity		lb (kg)	2000 (1000)	3000 (1360)	4000 (1815)
A	Maximum Fork Height (MFH)	in (mm)	128 (3251)	128 (3251)	124 (3150)
B	Mast Lowered Height	in (mm)		83 (2108)	
C	Mast Extended Height	in (mm)	176 (4471)	176 (4471)	172 (4369)
D	Free Lift	in (mm)	12 (305)	12 (305)	6 (153)
E	Wheelbase	in (mm)	47 (1194)	52.3 (1329)	58.6 (1489)
F	Head Length (Length to Fork Face) V Mast	in (mm)	64.8 (1646)	70.1 (1781)	76.6 (1946)
G	Power Unit Width	in (mm)		34.1 (866)	
H	Power Unit Height	in (mm)		32.5 (826)	
I	Battery Roller Height	in (mm)		9.8 (249)	
J	Tilt Range (Mast Tilt)	Fwd/Bwd deg		3/8	
K	Fork Size	TxWxL in (mm)	1.5x4x42	1.5x4x42	1.75x4x42
L	Fork Adjustment	Min./Max. in (mm)		8.5/30 (216/762)	
M	Underclearance	in (mm)		3.6 (91)	
N	Outside Turning Radius	in (mm)	56.7 (1440)	62 (1575)	68.3 (1735)
O	Load Distance	in (mm)	8.1 (206)	8.1 (206)	8.3 (211)
	Carriage Width	in (mm)		30 (762)	
	Basic Right Angle Stacking Aisle Width	in (mm)		See Chart	

## AISLE WIDTH REQUIREMENTS FOR RIGHT ANGLE STACKING

Model	6BWC10					6BWC15					6BWC20				
	Load Length					Load Length					Load Length				
Load Width	30 (762)	36 (915)	40 (1016)	42 (1067)	48 (1219)	30 (762)	36 (915)	40 (1016)	42 (1067)	48 (1219)	30 (762)	36 (915)	40 (1016)	42 (1067)	48 (1219)
in (mm)	in (mm)	in (mm)	in (mm)	in (mm)	in (mm)	in (mm)	in (mm)	in (mm)	in (mm)	in (mm)	in (mm)	in (mm)	in (mm)	in (mm)	in (mm)
30 (762)	92 (2337)	99 (2515)	103 (2616)	105 (2667)	111 (2820)	97 (2464)	104 (2642)	108 (2743)	110 (2794)	116 (2947)	104 (2642)	111 (2820)	115 (2921)	117 (2972)	123 (3124)
36 (915)	92 (2337)	98 (2489)	102 (2591)	105 (2667)	111 (2820)	97 (2464)	103 (2616)	108 (2743)	110 (2794)	116 (2947)	104 (2642)	110 (2794)	114 (2896)	116 (2947)	123 (3124)
40 (1016)	91 (2312)	98 (2489)	102 (2591)	104 (2642)	111 (2820)	97 (2464)	103 (2616)	107 (2718)	110 (2794)	116 (2947)	103 (2616)	110 (2794)	114 (2896)	116 (2947)	122 (3099)
42 (1067)	91 (2312)	98 (2489)	102 (2591)	104 (2642)	110 (2794)	96 (2439)	103 (2616)	107 (2718)	109 (2769)	116 (2947)	103 (2616)	110 (2794)	114 (2896)	116 (2947)	122 (3099)
48 (1219)	91 (2312)	97 (2464)	102 (2591)	104 (2642)	110 (2794)	96 (2439)	103 (2616)	107 (2718)	109 (2769)	115 (2921)	102 (2591)	109 (2769)	113 (2870)	116 (2947)	122 (3099)

Aisle width requirements are based on 6" clearance between each side of the load.

Add a minimum of 6" to 10" for maneuverability.

Add 2.5" when equipped with a side shifter.

## MAST SPECIFICATIONS & RATED CAPACITIES

Wide Visible Mast (V), Wide Visible Full-Free Lift Two-Stage Mast (FV), Wide Visible Full-Free Lift Three-Stage Mast (FSV)

### 6BWC10

Mast Type	Maximum Fork Height (top of forks)	Overall Height		Free Lift With Standard 48 in. Load Backrest	Tilt Range (Mast Tilt)	
		Lowered	Extended		FWD	BWD
			With Standard 48 in. Load Backrest	deg		
in (mm)		in (mm)	in (mm)	in (mm)	deg	deg
V	104 (2650)	71 (1805)	152 (3860)	12 (305)	3	8
	128 (3251)	83 (2108)	176 (4470)	12 (305)	3	8
	152 (3860)	95 (2413)	200 (5080)	12 (305)	3	8
FV	104 (2650)	71 (1805)	152 (3860)	23 (584)	3	8
	128 (3251)	83 (2108)	176 (4470)	35 (889)	3	8
	152 (3860)	95 (2413)	200 (5080)	47 (1194)	3	8

in (mm)	Load Capacity at 24 in (600 mm) LC [lb (kg)]					
	V Mast <sup>[1][2]</sup>			FV Mast <sup>[1][2]</sup>		
	71/104 (1805/2650)	83/128 (2108/3251)	95/152 (2413/3860)	71/104 (1805/2650)	83/128 (2108/3251)	95/152 (2413/3860)
Capacity	2000 (907)	2000 (907)	2000 (907)	2000 (907)	2000 (907)	2000 (907)

[1] Sideshifter not available.

[2] Same capacities apply when equipped with UL 'EE' option.

### 6BWC15

Mast Type	Maximum Fork Height (top of forks)	Overall Height		Free Lift With Standard 48 in. Load Backrest	Tilt Range (Mast Tilt)	
		Lowered	Extended		FWD	BWD
			With Standard 48 in. Load Backrest	deg		
in (mm)		in (mm)	in (mm)	in (mm)	deg	deg
V	104 (2650)	71 (1805)	152 (3860)	12 (305)	3	8
	128 (3251)	83 (2108)	176 (4470)	12 (305)	3	8
	152 (3860)	95 (2413)	200 (5080)	12 (305)	3	8
FV	104 (2650)	71 (1805)	152 (3860)	23 (584)	3	8
	128 (3251)	83 (2108)	176 (4470)	35 (889)	3	8
	152 (3860)	95 (2413)	200 (5080)	47 (1194)	3	8
FSV	150 (3810)	71 (1805)	198 (5029)	23 (584)	3	8
	180 (4572)	83 (2108)	228 (5791)	35 (889)	3	8
	189 (4800)	87 (2209)	237 (6020)	39 (991)	3	8

in (mm)	Load Capacity at 24 in (600 mm) LC [lb (kg)]													
	V Mast <sup>[1][2]</sup>			FV Mast <sup>[1][2]</sup>			FSV Mast							
	71/104 (1805/2650)	83/128 (2108/3251)	95/152 (2413/3860)	71/104 (1805/2650)	83/128 (2108/3251)	95/152 (2413/3860)	71/150 (1805/3810) <sup>[2]</sup>		83/180 (2108/4572)		87/189 (2209/4800)			
Capacity	3000 (1360)	3000 (1360)	3000 (1360)	3000 (1360)	3000 (1360)	3000 (1360)	Without Sideshifter	With Sideshifter	Without Sideshifter	With Sideshifter	U.L. EE <sup>[3]</sup>	Without Sideshifter	With Sideshifter	U.L. EE <sup>[3]</sup>

[1] Sideshifter not available.

[2] Same capacities apply when equipped with UL 'EE' option.

[3] Same capacities apply when equipped with the sideshifter option.

## MAST SPECIFICATIONS & RATED CAPACITIES

Wide Visible Mast (V), Wide Visible Full-Free Lift Three-Stage Mast (FSV)

### 6BWC20

Mast Type	Maximum Fork Height (top of forks)	Overall Height		Free Lift With Standard 48 in. Load Backrest	Tilt Range (Mast Tilt)	
		Lowered	Extended		FWD	BWD
			With Standard 48 in. Load Backrest	in (mm)		
V	100 (2540)	71 (1805)	148 (3759)	6 (153)	3	8
	124 (3149)	83 (2108)	172 (4369)	6 (153)	3	8
	150 (3810)	95 (2413)	198 (5029)	6 (153)	3	8
FSV	150 (3810)	71 (1805)	198 (5029)	23 (584)	3	8
	180 (4572)	83 (2108)	228 (5791)	35 (889)	3	8
	189 (4800)	87 (2209)	237 (6020)	39 (991)	3	8

in (mm)	Load Capacity at 24 in (600 mm) LC [lb (kg)]													
	V Mast <sup>[1]</sup>						FSV Mast							
	71/100 (1805/2540)		83/124 (2108/3149)		95/150 (2413/3810)		71/150 <sup>[1]</sup> (1805/3810)		83/180 (2108/4572)		87/189 (2209/4800)			
Capacity	Without Sideshifter	With Sideshifter	Without Sideshifter	With Sideshifter	Without Sideshifter	With Sideshifter	Without Sideshifter	With Sideshifter	Without Sideshifter	With Sideshifter	U.L. EE <sup>[2]</sup>	Without Sideshifter	With Sideshifter	U.L. EE <sup>[2]</sup>
Capacity	4000 (1814)	3750 (1701)	4000 (1814)	3750 (1701)	4000 (1814)	3750 (1701)	4000 (1814)	3750 (1701)	4000 (1814)	3570 (1619)	3325 (1508)	4000 (1814)	3520 (1596)	3175 (1440)

[1] Same capacities apply when equipped with UL 'EE' option.

[2] Same capacities apply when equipped with the sideshifter option.

# 6BWS11.15.20, 6BWR15 6BWC10.15.20

## STANDARD EQUIPMENT

### PERFORMANCE

24 Volt Electrical System  
SB-175 Red Connector  
On/Off Key Switch  
UL-Approved Model Type E  
MOSFET Programmable Controller With Separately  
Excited Drive Motor And Self-Diagnostics  
Electric Raise And Lower Controls In Operator Handle  
Manual Raise And Lower Controls On Console  
Dual Hydraulic Reach Cylinders (6BWR Only)

32" to 50" Base Leg Openings (ID) (6BWS & 6BWR Only  
in 1" increments  
Carriage Tilt (6BWR Only)  
Mast Tilt (6BWC Only)  
Pressure Overload Relief Valve and Lowering  
Control Fuses  
Spring Loaded Torsion Bar Suspension (6BWS15.20)  
Spring Loaded Torsion Bar Suspension with  
Automatic Load Sensing (6BWR & 6BWC)  
Stabilizing Casters (Except 6BWS11)  
Easy Access Service Cover  
High Visibility Mast

### BODY/EXTERIOR DESIGN

Electric Horn  
30 Inch Wide ITA Class II Hook Type Carriage  
42 Inch Long Pallet Forks  
48 Inch High Load Back Rest Extension  
Crowned Poly Drive Tire 10.5" dia. x 5" (6BWS & 6BWR Only)  
Rubber Drive Tire 10" dia. x 4" (6BWC Only)  
Tandem Polyurethane Load Wheels 4" dia. x 2.875"  
(6BWS & 6BWR Only)  
Polyurethane Load Wheels 10.5" dia. x 5" (6BWC Only)  
Battery Compartment: 32.3" x 9" x Open Height (6BWS11 Only)  
Battery Compartment: 32.3" x 13.3" x Open Height  
(6BWS15.20, 6BWR & 6BWC)

### OPERABILITY & ERGONOMICS

Emergency Power Disconnect Switch  
Automatic Resetting Circuit Breaker  
Reverse Polarity Protection Contactor  
Mechanical Drum Brake  
Directional Thumb Control  
Safety Glass Mast Guard (6BWS & 6BWR Only)  
Direction Reverse Switch In Control Handle  
Power On Self Test

- Options are compatible
- Options are NOT compatible

## OPTIONS AVAILABILITY CHART

Option Item	Option Code	6BWS11.15.20	6BWR15	6BWC10.15.20
<b>LOAD HANDLING</b>				
Pallet Fork Length, 30"	807301	○	○	○
Pallet Fork Length, 36"	807302	○	○	○
Pallet Fork Length, 48"	807303	○	○	○
36" Reduced Height Load Backrest Extension	807401	○	○	○
44" Reduced Height Load Backrest Extension	807402	○	○	○
Twist Grip Control Handle in Place of Thumb Control	1) 8075	○	○	○
Auxiliary Function Hydraulic Valve and Hosing	4) 101130	○	○	○
2 in. Sideshift Each Way (32" or 33" Base Leg Inside Dimension)	2) 808901	○	○	○
3 in. Sideshift Each Way (Min. 34" Base Leg Inside Dimension or Wider)	2) 808902	○	○	○
<b>LIGHTS, INDICATORS &amp; SAFETY</b>				
Screen Guard In Place Of Safety Glass Mast Guard	8071	○	○	●
Flashing Light, Red Incandescent Bulb	807601	○	○	○
Flashing Light, Amber Incandescent Bulb	807602	○	○	○
Flashing Light, Blue Incandescent Bulb	807603	○	○	○
Strobe Light, Red	807701	○	○	○
Strobe Light, Amber	807702	○	○	○
Audible Travel Alarm	8078	○	○	○
Hour Meter	6) 8079	○	○	○
Battery Discharge Indicator (Meter Type)	6) 8080	○	○	○
Battery Discharge Indicator With Hour Meter In Combination Gauge	6) 8081	○	○	○
Battery Discharge Indicator W/ Hour Meter In Combination Gauge W/ Lift Interrupt	6) 8082	○	○	○
<b>BODY</b>				
Battery Compartment Rollers. Roller Height 9.8" (Allows Exit to Either Side)	8070	○	○	○
Pallet Centering Guide	7) 8072	○	○	●
Pallet Centering Guide	7) 101131	●	●	○
Toggle Switch In Place of Key Switch	8084	○	○	○
<b>BATTERY ACCESSORIES</b>				
Non - Standard Battery Connector (Color Yellow)	808301	○	○	○
Non - Standard Battery Connector (Color Gray)	808302	○	○	○
Non - Standard Battery Connector (Color Blue)	808303	○	○	○
<b>WHEELS AND TIRES</b>				
Drive Tire Traction Lugged Rubber	8065	○	○	○
Drive Tire Smooth Flat Rubber (STD. On 6BWC)	8066	○	○	○
Drive Tire Non-Marking Rubber	8067	○	○	○
Drive Tire Walnut Shell Impregnated Rubber	8068	○	○	○
Drive Tire Siped Rubber	8069	○	○	○
<b>SPECIAL MODELS</b>				
UL "EE" Rating Without Enclosed Battery Compartment	3) 8086	○	○	○
Special Paint Color, Toyota Orange to Custom Color	9) 101102	○	○	○
Corrosion Conditioning	8087	○	○	○
Cold Storage Conditioning (Includes Corrosion Protection Conditioning)	8) 8088	○	○	○
Aux. Hydraulic Function Valve & Hosing W/ Carriage Mounted Termination	5) -	TSDR	TSDR	TSDR

- 1) The optional twist grip control handle is available at no additional charge.
- 2) Not available on 6BWS11.15 or 6BWC10.15 equipped with 2-stage mast.
- 3) Requires UL "EE" rated battery with leads through cover at position "B".  
UL "EE" is not available with cold storage conditioning.  
UL "EE" option may reduce performance.
- 4) Not available on 6BWS11 or 6BWS15. Not available with V or FV masts.

- 5) Only one additional hydraulic function may be mounted: either factory mounted sideshift or factory approved, customer mounted auxiliary hydraulic attachment.
- 6) Not available with any other optional battery discharge indicator/combination gauges.
- 7) Not available with optional sideshifter.
- 8) Requires option 8071 - Screen Guard
- 9) Requires TSDR for paint map



**OPTIONAL FORK LENGTH**

Units: in (mm)

Model	Length	Width	Thickness	Optional Fork Length
6BWS11.15 6BWC10.15	30 (770)	4 (100)	1.5 (38)	○
	36 (920)			○
	42 (1070)			Standard
	48 (1220)			○
6BWS20 6BWR15 6BWC20	30 (770)	4 (100)	1.75 (45)	○
	36 (920)			○
	42 (1070)			Standard
	48 (1220)			○

○ Option Available

**ENVIRONMENTAL CONDITIONING****CORROSION CONDITIONING**

**Damp Environments** - The corrosion conditioning specification is designed for operation in damp environments and is rated in temperature to 32° F (0° C).

<b>Corrosion Preventative</b>	Hardware is coated with a rust inhibitor.
<b>Sealed Components</b>	Sealed Components (switches, push/pull cables, sensors are used where appropriate.
<b>Lubrication Package</b>	Grease fittings provided on axle and other pivot points.
<b>Plated Components</b>	Plated pins, shafts and linkage where required.
<b>Electrical Connections</b>	Electrical connections are coated with a silicon compound.

**COLD STORAGE CONDITIONING (Includes Corrosion Conditioning)**

<b>Corrosion Conditioning</b>	All items contained in the corrosion conditioning will be included.
<b>Sealed Components</b>	Sealed components used in non-heated locations.
<b>Heavy Duty Switches</b>	Heavy duty mechanical switches used where appropriate.
<b>Heaters</b>	Heaters used to prevent moisture buildup in electrical component areas.
<b>Windshield</b>	The windshield replaced with a mesh screen.
<b>Hydraulic Fluid</b>	The hydraulic fluid in the lift/auxiliary system is changed to ATF.
<b>Transmission Fluid</b>	The transmission fluid is changed to ATF.

**Continuous Operation** - The cold storage specification is rated for operation in temperatures to 14° F (-10° C) for continuous operation.

The truck should be completely dry before commencing the continuous stay in the cold room and should be parked inside the cold room for operator breaks. The viscosity of the oil used in this type of application to cope with the wide differences in operating temperatures will cause some reduction in truck performance during the stay in period. Charging and maintenance work must be carried out in normal ambient temperatures above freezing and the truck must be completely dry before commencing another continuous stay in the cold room.

**In and Out Operation** - The cold storage specification is also rated for operation in temperatures to -4° F (-20° C) for intermittent operation.

The truck will experience some surface condensation as part of the normal work cycle. In this "wet" condition, the truck should neither remain idle in the cold room for longer than 10 minutes nor operate inside the cold room for extended periods. The key point is that the condensation must not be allowed to freeze on the truck at any time. When not in use due to operator breaks, charging, or maintenance work, the truck should be parked outside of the cold room.

## BATTERY AND BATTERY COMPARTMENT SPECIFICATIONS

MODEL	VOLTS	BATTERY COMPARTMENT			BATTERY CONNECTOR				MINIMUM BATTERY Weight <sup>[1]</sup> lb (kg)	MAXIMUM AMP HOUR CAPACITY (6-hour ratings)
		LENGTH in. (mm)	WIDTH in. (mm)	HEIGHT in. (mm)	TYPE	COLOR	LENGTH in. (mm)	POS		
6BWS11	24	32.3 (820)	9 (229)	Open	SB175	Red	20 (508)	B	300 (136) <sup>[2]</sup>	330
6BWS15	24	32.3 (820)	13.3 (338)	Open	SB175	Red	20 (508)	B	950 (431)	650
6BWS20	24	32.3 (820)	13.3 (338)	Open	SB175	Red	20 (508)	B	950 (431)	650
6BWR15	24	32.3 (820)	13.3 (338)	Open	SB175	Red	20 (508)	B	950 (431)	650
6BWC10	24	32.3 (820)	13.3 (338)	Open	SB175	Red	20 (508)	B	950 (431)	650
6BWC15	24	32.3 (820)	13.3 (338)	Open	SB175	Red	20 (508)	B	950 (431)	650
6BWC20	24	32.3 (820)	13.3 (338)	Open	SB175	Red	20 (508)	B	950 (431)	650

[1] The 'Minimum Battery Weight' indicated is the lightest battery required to satisfy stability requirements of the lift truck.

[2] The 'Minimum Battery Weight' for fork heights of 150" (3810 mm) or greater is 500 lb (227kg).

