

# HD85v5



## DIGGING DEPTH

14'2"

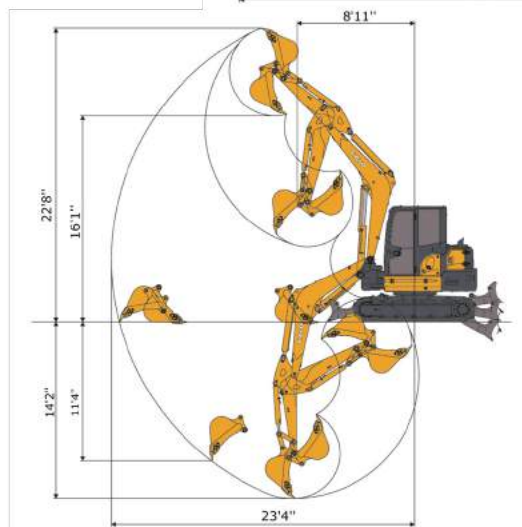
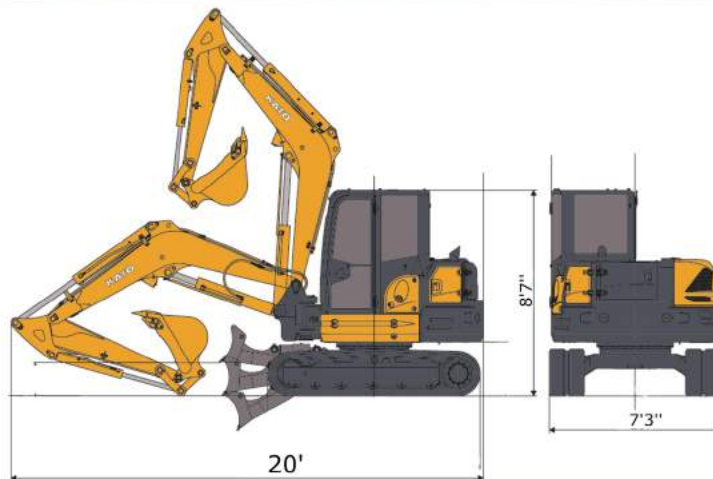
## OUTPUT RATING

57HP

## OPERATING WEIGHT

19,595LBS

# KATO



### 85V5

Working Ranges

|    |                        | Working Ranges |
|----|------------------------|----------------|
| A. | Max Digging Radius     | 23'4"          |
| B. | Max Digging Depth      | 14'2"          |
| C. | Max Vertical Dig Depth | 11'4"          |
| D. | Max Dumping Height     | 16'1"          |
| E. | Max Digging Height     | 22'8"          |
| F. | Min. Front-turn Radius | 8'11"          |
| G. | at Right Boom Swing    | 7'4"           |

# HD85V5

| <b>Performance</b>          |                               |
|-----------------------------|-------------------------------|
| Bucket Capacity             | 8.8 ft <sup>3</sup>           |
| Bucket Width                | 30"                           |
| Operating Weight            | 19,595 lbs.                   |
| Transport Weight            | 18,673 lbs.                   |
| Swing Speed                 | 9 rpm                         |
| Travel Speed (Low/ High)    | 1.6 / 2.7 mph                 |
| Gradeability                | 30°                           |
| Ground Pressure             | 4.5 psi                       |
| Bucket Digging Force        | 14,200 lbs.                   |
| <b>Engine</b>               |                               |
| Model                       | YANMAR 4TNV98C                |
| Output Rating               | 57 hp @ 2100 rpm              |
| Fuel Tank Capacity          | 29 gal                        |
| <b>Boom Swing System</b>    |                               |
| Type                        | Offset Boom w/ Hydraulic Cyl. |
| Swing Angle (L / R)         | 50° / 80°                     |
| <b>Hydraulic System</b>     |                               |
| Pressure                    | 3550 psi                      |
| Hydraulic Flow              | 81 gpm                        |
| 1st Line Max Auxiliary Flow | 20 gpm                        |
| <b>Dozer Blade</b>          |                               |
| Size                        | 1' 8" x 7' 3"                 |

**KATO**  
EXCAVATORS AND TRACK LOADERS

[www.KATOCES.com](http://www.KATOCES.com)

400 Production Court

Elizabethtown, KY 42701

(800) 538-1447 | Fax: (270) 737-0419