



DUMPING HEIGHT

6'8"

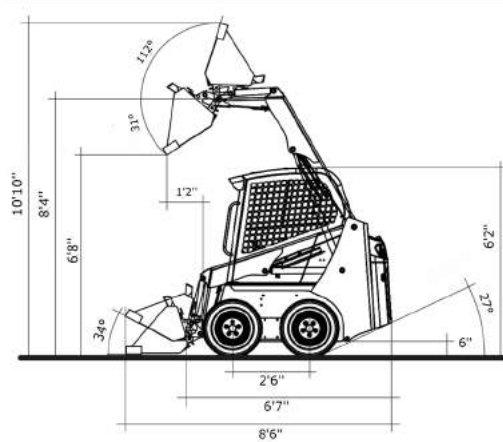
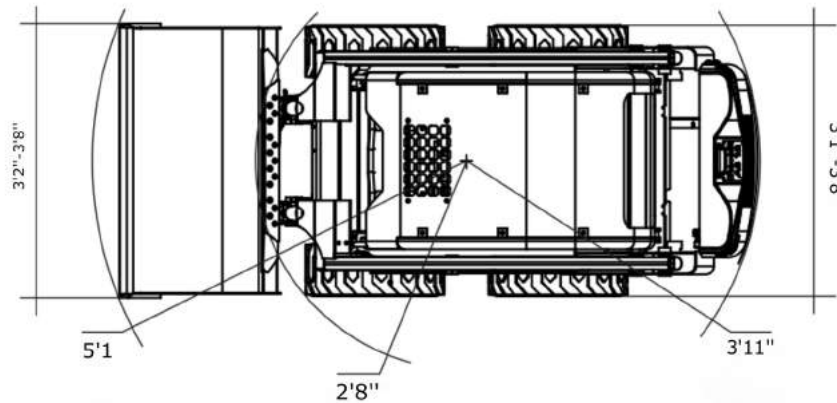
OUTPUT RATING

21 HP

OPERATING WEIGHT

2,955 LBS

KATO



AS12		Working Ranges
A.	Operating Height - Fully Raised	10'10"
B.	Height to Hinge Pin-Fully Raised	8'4"
C.	Dumping Height	6'8"
D.	Wheel Base Length	13'9"
E.	Total Length	8'6"
F.	Minimal Ground Clearance	6"

AS1

AS12

MODEL	AS12
PERFORMANCE	
Operating weight	2,955 lbs.
Transportation weight	2,778 lbs.
SAE load capacity 35%	728 lbs.
Tipping load 50%	1,455 lbs.
Bucket Breakout Force	1,658 lbs.
Maximum travel speed	0-4.35 mph
ENGINE	
Manufacturer	Yanmar
Engine	3TNV76
Rated output	21 hp/2,500 rpm
Battery	12 V
Fuel consumption	1.26 gal/hr
Cooling system	water cooled
Fuel tank capacity	2.2 gallons
HYDRAULIC SYSTEM	
Hydraulic pressure	2,610 psi
Auxiliary Flow	7.4 gpm
STD BUCKET WIDTH/CAPACITY	
Standard bucket	13.06 cu/ft
REFILLING	
Cooling system	1 gallon
Fuel tank	5.3 gallons

KATO
EXCAVATORS AND TRACK LOADERS

www.KATOCES.com
400 Production Court
Elizabethtown, KY 42701
(800) 538-1447 | Fax: (270) 737-0419